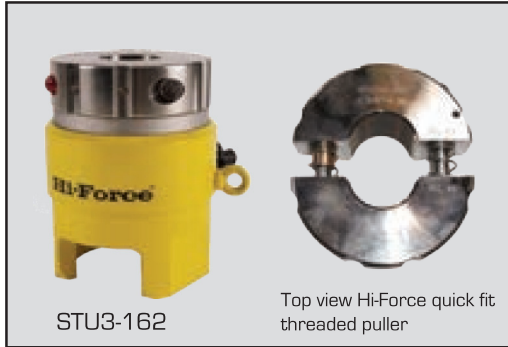


STU - SUB SEA BOLT TENSIONERS - IMPERIAL

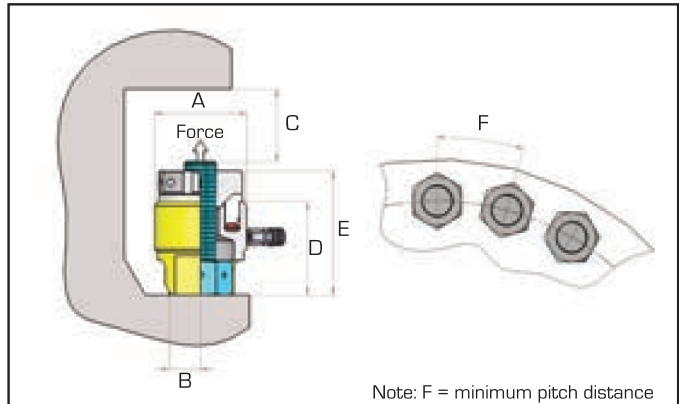


Working pressure 1500 Bar

Interchangeable quickfit/release pullers

Load cell with integral bridge

Hi-Force STU series sub-sea bolt tensioners are designed and manufactured to suit the demanding requirements of divers operating in harsh sub-sea environments. With an easy to operate two piece design comprising of a quick fit/release threaded puller and a hydraulic load cell with integral bridge and an extra long 30mm piston stroke to reduce re-setting operations. Hi-Force STU series sub-sea bolt tensioners offer a consistent, reliable and cost effective method of tensioning sub-sea bolted joints. All hydraulic load cells are suitable for different thread sizes (see table below and on page 112) and interchangeable quick fit/release pullers can be ordered separately, as required, resulting in even greater flexibility and cost savings.



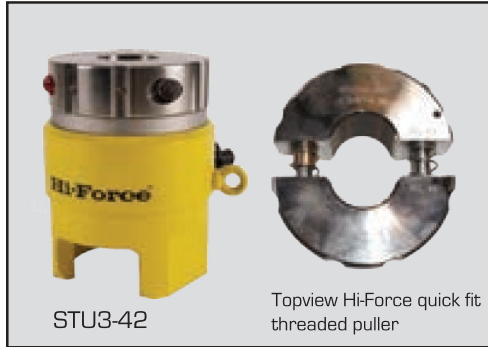
G

Model number	Bolt thread size	Capacity		Effective area cm ²	Stroke mm	Weight kg	Tommy bar
		kN	Tonnes				
STU1-100	1" - 8UN	256.04	26.10	17.07	20	3.4	TTB06
STU1-112	1 1/8" - 8UN	256.04	26.10	17.07	20	3.4	TTB06
STU2-125	1 1/4" - 8UN	430.36	43.87	28.69	30	6.0	TTB08
STU2-137	1 3/8" - 8UN	430.36	43.87	28.69	30	6.0	TTB08
STU3-150	1 1/2" - 8UN	553.35	56.41	36.89	30	7.5	TTB10
STU3-162	1 5/8" - 8UN	553.35	56.41	36.89	30	7.5	TTB10
STU4-175	1 3/4" - 8UN	756.30	77.09	50.42	30	9.8	TTB10
STU4-187	1 7/8" - 8UN	756.30	77.09	50.42	30	9.8	TTB10
STU5-200	2" - 8UN	1168.19	119.08	77.88	30	14.5	TTB12
STU5-225	2 1/4" - 8UN	1168.19	119.08	77.88	30	14.5	TTB12
STU6-250	2 1/2" - 8UN	1649.12	168.11	109.94	30	22.8	TTB14
STU6-275	2 3/4" - 8UN	1649.12	168.11	109.94	30	22.8	TTB14
STU7-300	3" - 8UN	2483.44	253.15	165.56	30	35.6	TTB16
STU7-325	3 1/4" - 8UN	2483.44	253.15	165.56	30	35.6	TTB16
STU7-350	3 1/2" - 8UN	2483.44	253.15	165.56	30	35.6	TTB16

Dimensions in mm					
A	B	C	D	E	F
82	22	119	119	140	61
82	22	119	119	140	64
102	30	140	140	164	73
102	30	140	140	164	75
114	35	142	142	169	82
114	35	142	142	169	85
128	41	151	151	181	94
128	41	151	151	181	98
150	48	164	164	202	112
150	48	164	164	202	116
176	60	183	183	231	136
176	60	183	183	231	141
215	89	215	215	260	162
215	89	215	215	260	173
215	89	215	215	260	175

Note: Tommy bars are not included. Hi-Force recommends one tommy bar for every four tensioners.
Please note that the tommy bar listed will fit related quickfit puller; a different size may be required for the hexagon nut.

STU - SUB-SEA BOLT TENSIONERS - METRIC

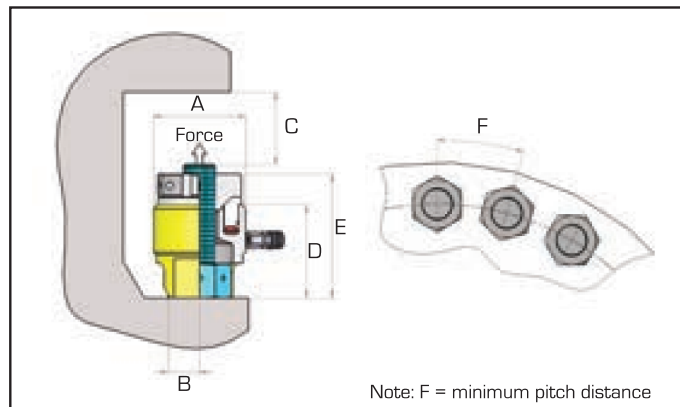


Working pressure 1500 Bar

Interchangeable quickfit/release pullers

Load cell with integral bridge

- >> Dual hose connection for easy hook up
- >> Extra long 30mm piston stroke to reduce re-setting time
- >> Maximum piston stroke indicator
- >> Corrosion protected for operation in harsh sub-sea environments



Model number	Bolt thread size	Capacity kN	Capacity Tonnes	Effective area cm ²	Stroke mm	Weight kg	Tommy bar
STU1-24	M24 x 3	256.04	26.10	17.07	20	3.4	TTB06
STU1-27	M27 x 3	256.04	26.10	17.07	20	3.4	TTB06
STU2-30	M30 x 3.5	430.36	43.87	28.69	30	6.0	TTB08
STU2-33	M33 x 3.5	430.36	43.87	28.69	30	6.0	TTB08
STU2-36	M36 x 4	430.36	43.87	28.69	30	6.0	TTB10
STU3-39	M39 x 4	553.35	56.41	36.89	30	7.5	TTB10
STU3-42	M42 x 4.5	553.35	56.41	36.89	30	7.5	TTB10
STU4-45	M45 x 4.5	756.30	77.09	50.42	30	9.8	TTB10
STU4-48	M48 x 5	756.30	77.09	50.42	30	9.8	TTB12
STU5-52	M52 x 5	1168.19	119.08	77.88	30	14.5	TTB12
STU5-56	M56 x 5.5	1168.19	119.08	77.88	30	14.5	TTB14
STU6-60	M60 x 5.5	1649.12	168.11	109.94	30	22.8	TTB14
STU6-64	M64 x 6	1649.12	168.11	109.94	30	22.8	TTB16
STU6-68	M68 x 6	1649.12	168.11	109.94	30	22.8	TTB16
STU6-72	M72 x 6	1649.12	168.11	109.94	30	22.8	TTB16
STU7-76	M76 x 6	2483.44	253.15	165.56	30	35.6	TTB16
STU7-80	M80 x 6	2483.44	253.15	165.56	30	35.6	TTB16
STU7-85	M85 x 6	2483.44	253.15	165.56	30	35.6	TTB16
STU7-90	M90 x 6	2483.44	253.15	165.56	30	35.6	TTB16

Dimensions in mm					
A	B	C	D	E	F
82	22	119	119	140	61
82	22	119	119	140	64
102	30	140	140	164	73
102	30	140	140	164	75
102	30	140	140	164	78
114	35	142	142	169	82
114	35	142	142	169	85
128	41	151	151	181	94
128	41	151	151	181	98
150	48	164	164	202	112
150	48	164	164	202	116
176	60	183	183	231	136
176	60	183	183	231	136
176	60	183	183	231	136
176	60	183	183	231	141
215	89	215	215	260	164
215	89	215	215	260	164
215	89	215	215	260	175
215	89	215	215	260	175

Note: Tommy bars are not included. Hi-Force recommends one tommy bar for every four tensioners.
Please note that the tommy bar listed will fit related quickfit puller; a different size may be required for the hexagon nut.